

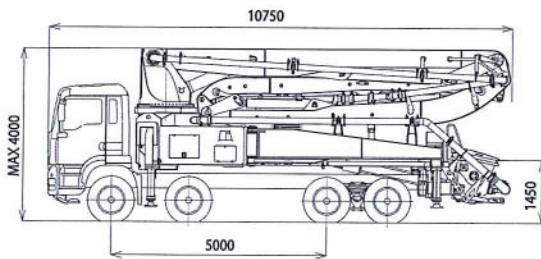
K42L

TRUCK-MOUNTED CONCRETE BOOM PUMP

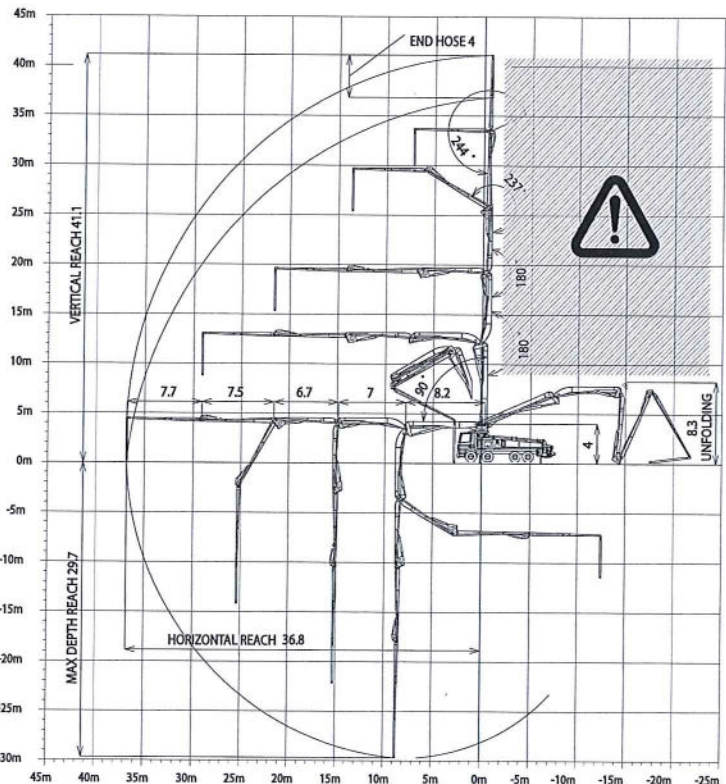
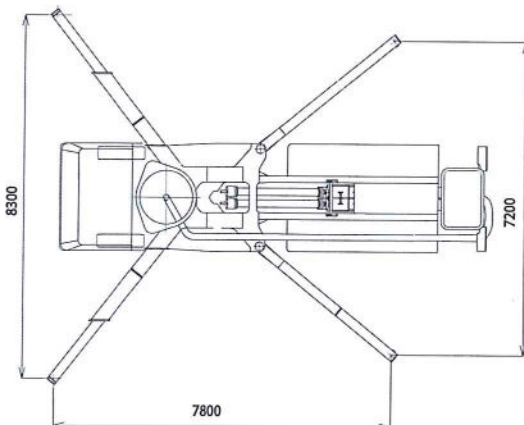
| | |
|--------------|----------------------------------|
| Placing boom | B5RZ 42/38 |
| Pumping unit | HP1808ECX HP1608EC HP1606H |
| Driven by | PTO |
| Chassis | 4 axles |



Dimensions



Dimensions varying according to truck assembly



K42L

Standard equipment

- Assembling on standard 4 axles chassis
- Self-supporting frame, torsion free, FEM designed and fatigue tested at the test bench TEC CIFA
- Articulated boom, FEM designed and and fatigue tested at the test bench TEC CIFA
- Placing boom B5RZ 42/37, 5 sections, "RZ" folding system
- Fully hydraulic outrigger controls on both sides of the truck
- Front "X" style diagonal outriggers with double telescopic opening and swing-out rear outriggers for a quick and easy set-up also in narrow areas
- "Load Sensing" proportional boom control for pumping unit HP-C
- "BFC" Best-Flex Cifa supporting system allowing just one man to change delivery pipeline easily, quickly and safe
- Concrete flow rate regulator
- Safety device on opening inspection hatch
- Pumping unit with closed loop (HP1608EC) or open loop (HP1606H)
- Project conforms to Directive Machinery 2006/42/CE
- 2 Proportional radio control with two boom movement speed, synthesizer for automatic frequency search, 8 position joy stick and concrete flow rate regulator. 20 mt cable
- Double thickness concrete pipes, in high resistant steel and insert carbide chrome - CIFA Long Life Pipes
- Emergency control pad for pumping unit HP-C
- Remote controlled electric vibrator placed on the concrete hopper grid
- Centralized lubrication system for pumping unit
- Automatic oil lubrication system for pumping pistons on HP-C
- Additional manual lubrication system for pumping unit
- Hard plastic outrigger support plates with relative housing
- Rear light on hopper
- Level readers for stabilization control
- Accessories for cleaning and pipes washing
- Fiber glass hopper covering
- Emergency pumping unit kit
(for machine with closed loop pumping unit)

Control system

- Smartronic Silver (available only for machine with closed loop pumping unit):
 - integrated color LCD
 - counters
 - pumping unit management
 - diagnostics
 - capsense rear panel

Main options

- ASC - Advanced Stability Control
(available only for machine with closed loop pumping unit)
- LSC - Light Stability Control
(available only for machine with open loop pumping unit)
- Pneumatic concrete valve - Shut-off valve
- High pressure water pump 28l / 120 bar
- Centralized lubrication system for placing boom
- Separated emergency engine kit for independent control of the concrete pumping unit, boom and water pump

TRUCK-MOUNTED CONCRETE BOOM PUMP

| | |
|--------------|----------------------------------|
| Placing boom | B5RZ 42/38 |
| Pumping unit | HP1808ECX HP1608EC HP1606H |
| Driven by | PTO |
| Chassis | 4 axles |

Pumping unit technical data

| Model | | HP1808ECX | HP1608EC | HP1606H |
|----------------------------------|------------------------|-----------|----------|----------|
| Max. theoretical output | <i>m³/h</i> | 180 | 160 | 160 |
| Max. pressure on concrete | <i>bar</i> | 83 | 80 | 53 |
| Max. numbers of cycles per min. | <i>nr.</i> | 27 | 31 | 30 |
| Conc. cylinders (diam. x stroke) | <i>mm</i> | 260x2100 | 230x2100 | 230x2100 |
| Concrete hopper capacity | <i>l</i> | 600 | 550 | 550 |
| Hydraulic circuit | | closed | closed | open |

Placing boom technical data

| Model | | B5RZ 42/37 |
|--|-----------|------------|
| Pipeline diameter | <i>mm</i> | 125 |
| Max. vertical reach | <i>m</i> | 41,1 |
| Max. horizontal distance (from center of slewing axis) | <i>m</i> | 36,8 |
| Min. unfolding height | <i>m</i> | 8,8 |
| Section numbers | | 5 |
| 1st section opening angle | | 90° |
| 2nd section opening angle | | 180° |
| 3rd section opening angle | | 180° |
| 4th section opening angle | | 237° |
| 5th section opening angle | | 244° |
| Rotating angle | | 370° |
| End hose lenght | <i>m</i> | 4 |

Technical data and characteristics subject to modifications without notice

